

REV	MARK	ECN NO.	DESCRIPTION	NAME	DATE
A0	—	—	新图制定	张国旭	2016/03/01

SPECIFICATIONS :

MATERIAL :

1. HOUSING MATERIAL: (1)GLASS FILLED PA66(UL94V-0), (2)GLASS FILLED PA46(UL94V-0), (3)GLASS FILLED PBT(UL94V-0).
2. CONTACT MATERIAL: PHOSPHOR BRONZE $\Phi 0.46\text{MM}$.
3. PLATING: GOLD PLATING $\text{Fu}''-50\text{u}''$ OVER NICKEL.

ELECTRICAL :

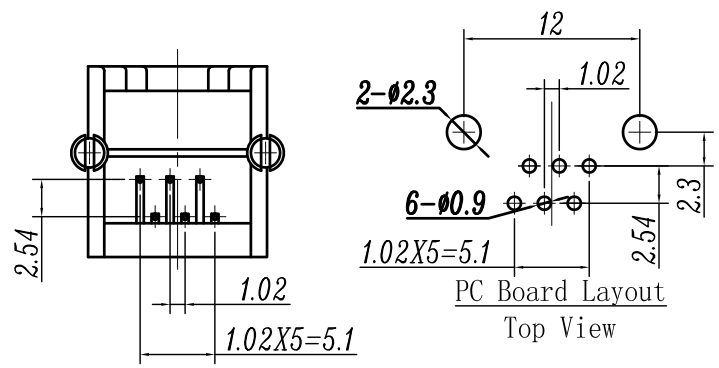
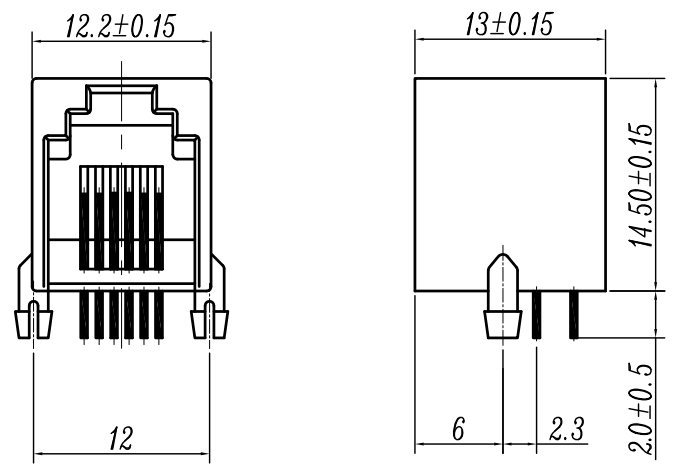
1. VOLTAGE RATING: 125Vac RMS .
2. CURRENT RATING: 1.5AMP .
3. CONTACT RESISTANCE: 30m Ω MAX .
4. INSULATION RESISTANCE: 500M Ω MIN @ 500Vdc .
5. DIELECTRIC WITHSTANDING VOLTAGE: 1000Vac RMS 50Hz 1MIN.

MECHANICAL :

1. DURRABILITY : 750 CYCLES MIN.
2. INSETION FORCE: 2.2Kgf MAX.
3. RETENTION STRENGTH : 7.7Kgf MIN BETWEEN JACK AND PLUG.

ENVIRONMENTAL :

1. STORAGE TEMPRATURE : -40° C TO 85° C.
2. OPERATION TEMPRATURE : -40° C TO 70° C.



TOLERANCE UNLESS OTHERWISE SPEC		DESIGNED			TITLE : 5521-6P6C WITHOUT EAR
BASIC DIMENSION	TOLERANCE	CHECKED	SIZE	A4	PART NO. :
. X	± 0.25	STANDARDIZED	UNIT	MM	DRAWING NO. :
. XX	± 0.10	APPROVED	SCALE	1:1	Coorle 库乐科技
. XXX	± 0.05		WEIGHT		
ANGLES	± 0.5°		SHEET	第1页共1页	
			REV	A	